

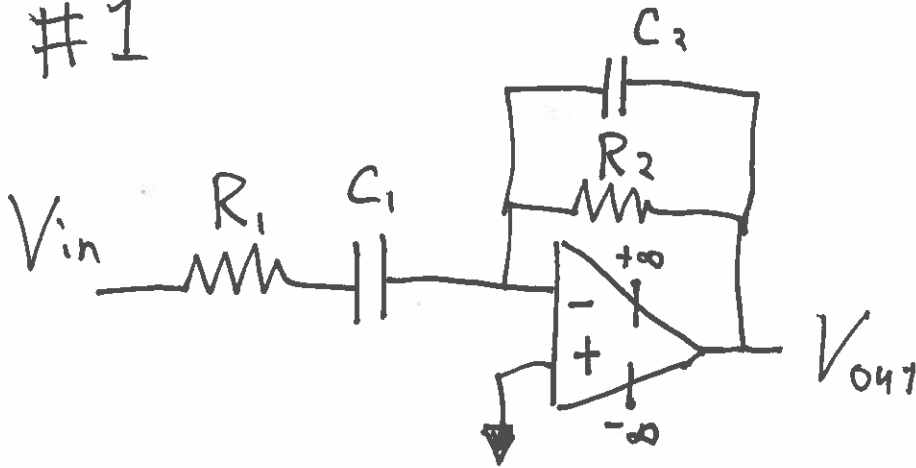
$$R_1 = 1.58 \text{ k}\Omega$$

$$R_2 = 15.8 \text{ k}\Omega$$

$$C_1 = 0.1 \mu\text{F}$$

$$C_2 = 1 \text{ nF}$$

#1



#2

