

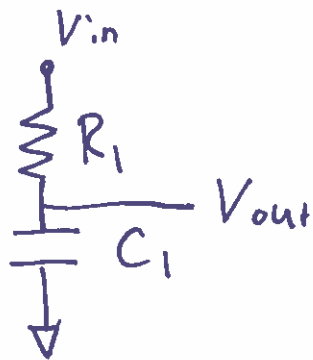
$$R_1 = 1.58k$$

$$R_2 = 15.8k$$

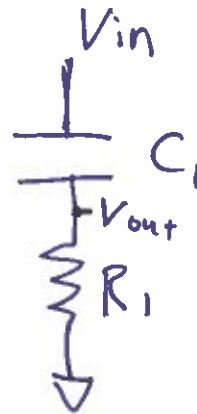
$$C_1 = 0.1 \mu F$$

$$C_2 = 1nF$$

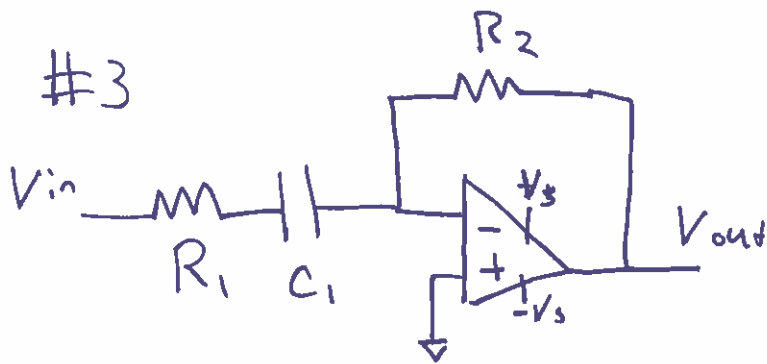
#1



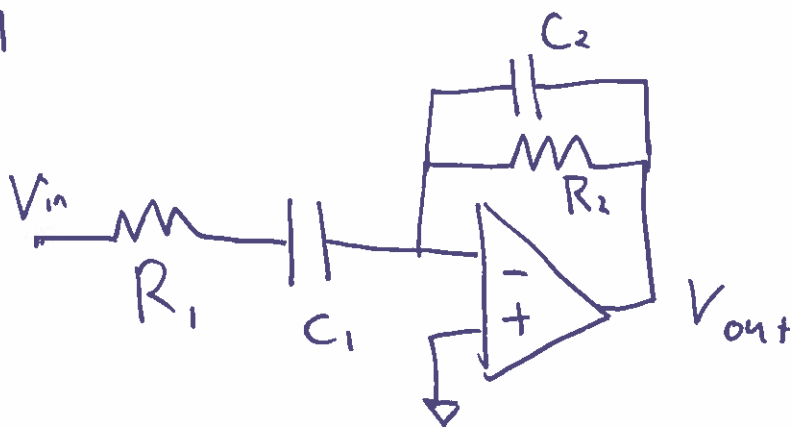
#2



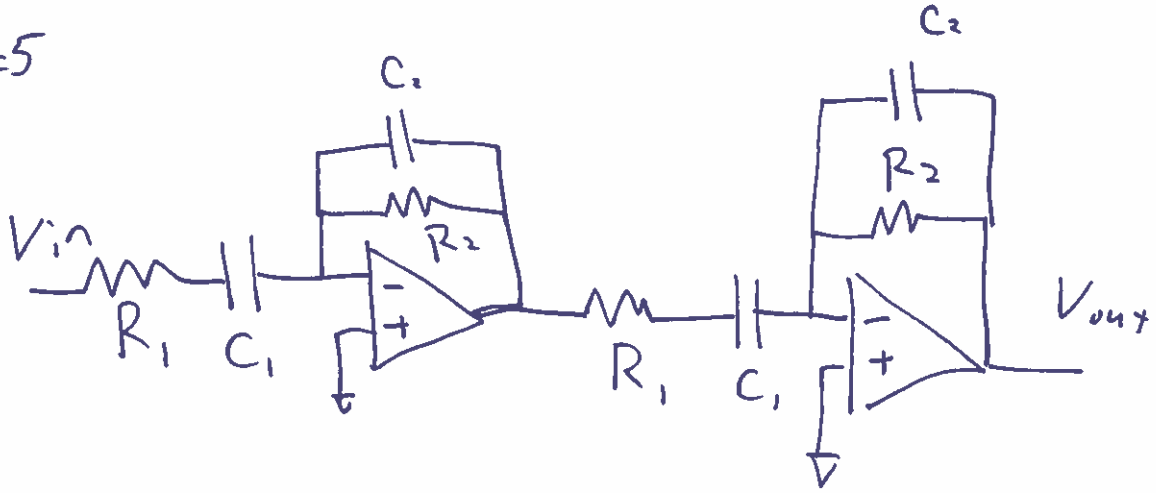
#3



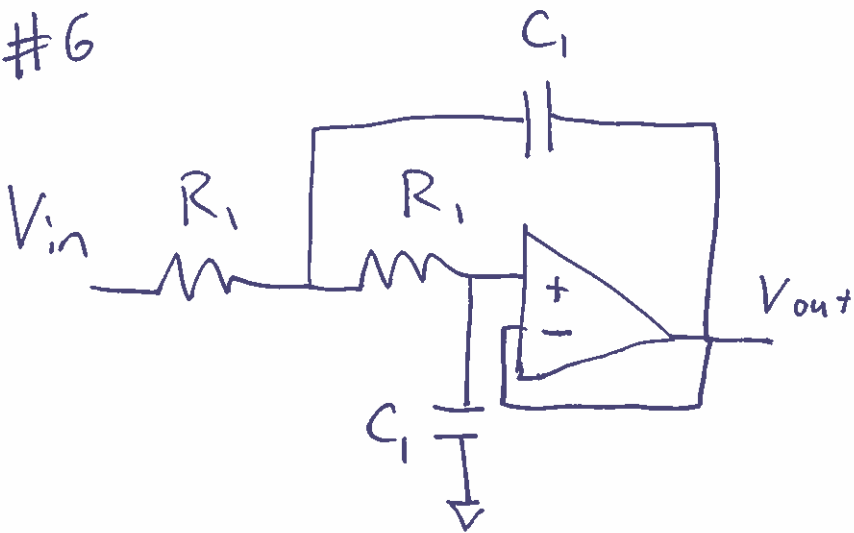
#4



#5



#6



#7

